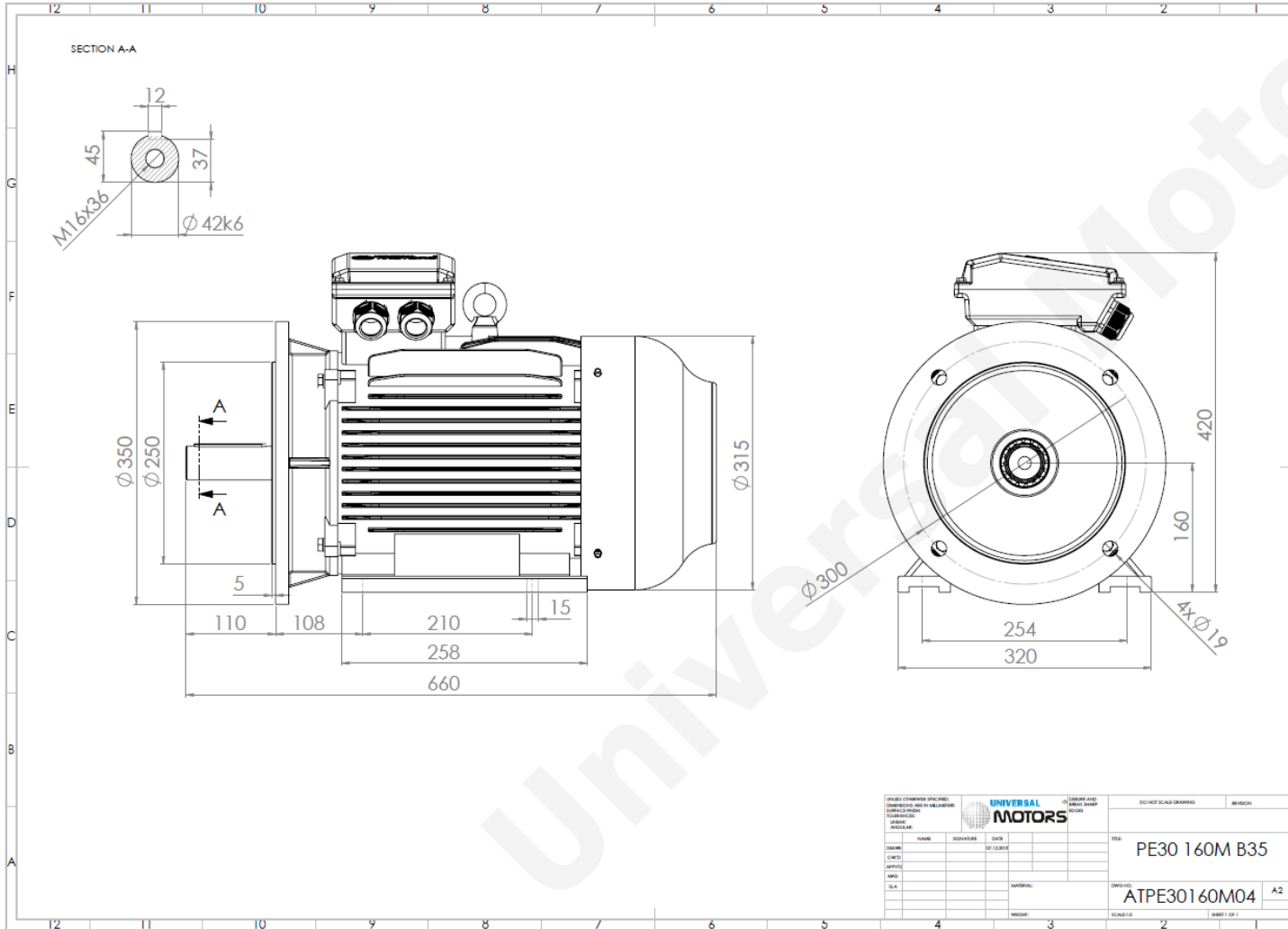




# TECHNICAL DATA

Three Phase Electric Motors - Cast Iron Frame  
 PE30 160M1-8  
 4 kW / 5.5 Cv  
 720 RPM



Motor type:	<b>PE30 160M1-8</b>
Output:	<b>4 kW / 5.5 Cv</b>
Speed (min <sup>-1</sup> ):	<b>720 RPM</b>
Frequency:	<b>50 Hz</b>
Voltage:	<b>400 V</b>
Current:	<b>9.30 A</b>
Power factor (Cos Ø):	<b>0.73</b>
Poles:	<b>8</b>
Insulation class:	<b>F</b>
Temperature rise Class:	<b>B</b>
Efficiency 50%:	<b>81.7 %</b>
Efficiency 75%:	<b>85.1 %</b>
Efficiency 100%:	<b>84.8 %</b>
Torque:	<b>53 N.m</b>
Tstarting/Tnominal:	<b>1.9</b>
Istarting/Inominal:	<b>6.0</b>
Tmaximum/Tnominal:	<b>2.0</b>
Noise:	<b>68 Db(A)</b>
Weight:	<b>120 Kg</b>
Bearing DE:	<b>6309 C3</b>
Bearing NDE:	<b>6309 C3</b>

UNIVERSAL MOTORS		UNIVERSAL MOTORS		UNIVERSAL MOTORS	
DESIGNER	DATE	REVISION	NO.	DATE	REVISION
	27.12.2016				
TITLE: PE30 160M B35			SCALE: 1:1		
DRAWING NO.: ATPE30160M04			SHEET 1 OF 1		

Regime - S1

Altitude - 1000m

Environment Temperature - 40°C

## CONTACTS:

UNIVERSAL MOTORS Tel: +351 252 299 080  
 Rua de São Brás,745 Fax: +351 252 299 089  
 4480-782 VILA DO CONDE Mail: [geral@universalmotors.pt](mailto:geral@universalmotors.pt)

\* References applied only in the UK